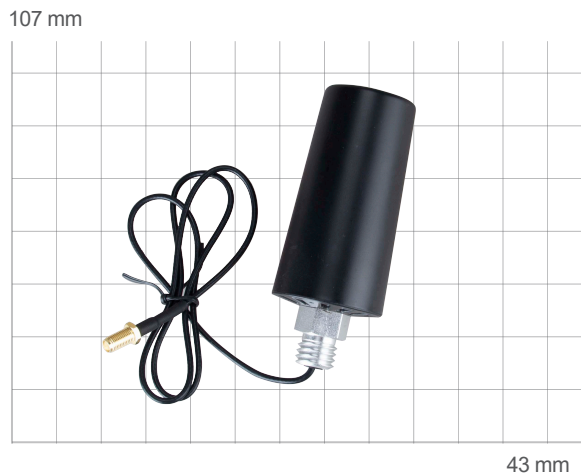


AT130 Helix Antenna

Helix Antenna

Ver.2021.09.10

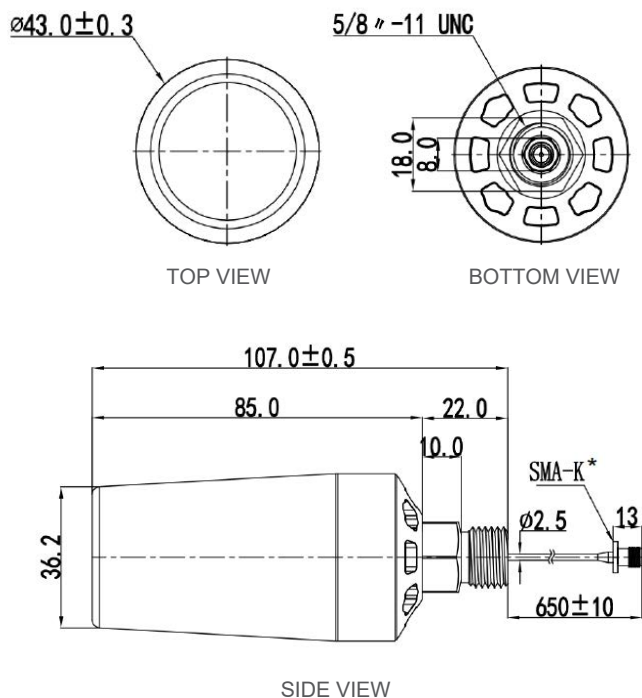


Dimension: $\Phi 107 \times 43$ mm

AT130 Helix Antenna

The compact-sized AT130 helix antenna is designed with high stability and repeatability at phase center, and its high gain ensures a superior performance even at low elevation angle. Available from single frequency to triple frequency, AT-series Helix antennas are optimal for Unmanned Aerial Vehicle, GIS, RTK and related mobile devices where need high accuracy GNSS positioning.

AT130 GNSS Antenna Structure Drawing (mm)



* The default connector type of AT130 is SMA-K, and AT130A antenna with SMA-J connector is also optional.

Antenna

GPS	L1, L2, L5
GLONASS	L1, L2, L3
Beidou	B1, B2, B3
Galileo	E1, E5a, E5b, E6
L-Band	
Nominal Impedance	50 Ω
Polarization	RHCP
Axial Ratio (90°)	≤ 3 dB
VSWR Output	≤ 1.5
Gain at Zenith	3.5dBi
Phase Center Offset	± 2 mm

LNA

LNA Gain	38 \pm 2dB
Noise Figure	≤ 1.3 dB
VSWR Output	≤ 2.0
Passband Ripple	± 2 dB
Operation Voltage	3.3 - 12 VDC
Operation Current	≤ 50 mA

Physical

Dimension	$\Phi 107 \times 43$ mm
Connector	SMA-K connector*

Environmental

Operating Temperature	-40 C to +80 C
Storage Temperature	-55 C to +80 C
Humidity	95% No-condensing
Water and Dust Proof	IP67
Shock	Survive from a 3m-drop

SinoGNSS[®]
By ComNav Technology Ltd.